



Pedestrian stacker truck 2.0 ton

BT staxio

W-series

SWE200D



Pedestrian stacker double stacking

| Specification for stacker trucks | | | | | SWE200D |
|----------------------------------|---|---|-----------------|------|------------------------------|
| Identification | 1.1 | Manufacturer | | | Toyota |
| | 1.2 | Model | | | SWE200D |
| | 1.3 | Drive | | | Electric |
| | 1.4 | Operator type | | | Pedestrian |
| | 1.5 | Load capacity/rated load | Q | kg | 1000 |
| | | Support arm capacity/fork and support arm capacity | Q | kg | 2000/800+1200 |
| | 1.6 | Load centre | c | mm | 600 |
| | 1.8 | Load distance, centre of support arm wheel to face of forks | x | mm | 873 |
| | 1.9 | Wheelbase | y | mm | 1483 |
| Weight | 2.1 | Service weight including battery | | kg | 879 |
| | 2.2 | Axle load, with load, drive/castor/support arm wheel | | kg | 570/360/1155 |
| | 2.3 | Axle load, without load, drive/castor/support arm wheel | | kg | 570/100/215 |
| Wheels | 3.1 | Drive/castor/support arm wheel | | | Friction/Vulkollan/Vulkollan |
| | 3.2 | Wheel size, front | | mm | Ø230x70 |
| | 3.3 | Wheel size, rear | | mm | Ø85x74 |
| | 3.4 | Additional wheels (dimensions) | | mm | Ø125x50 |
| | 3.5 | Wheels, number front/rear (x=driven wheels) | | | 1x+2/4 |
| | 3.6 | Track width, front | b ₁₀ | mm | 550 |
| | 3.7 | Track width, rear | b ₁₁ | mm | 390 |
| Dimensions | 4.2 | Height, mast lowered | h ₁ | mm | 1535 *) |
| | 4.3 | Free lift | h ₂ | mm | 166 *) |
| | 4.4 | Lift | h ₃ | mm | 2010 *) |
| | | Lift height | h ₂₃ | mm | 2100 *) |
| | 4.5 | Height, mast extended | h ₄ | mm | 2520 *) |
| | 4.6 | Initial lift | h ₅ | mm | 120 |
| | 4.8 | Stand height (optional platform) | h ₇ | mm | 150 |
| | 4.9 | Height of tiller in drive position, min./max. | h ₁₄ | mm | 865/1235 |
| | 4.15 | Height, fork lowered | h ₁₃ | mm | 90 |
| | 4.19 | Overall length | l ₁ | mm | 1910 |
| | 4.20 | Length to face of forks | l ₂ | mm | 760 |
| | 4.21 | Overall width | b ₁ | mm | 770 |
| | 4.22 | Fork dimensions | s/e/l | mm | 60/180/1150 *) |
| | 4.24 | Fork-carriage width | b ₃ | mm | 674 |
| | 4.25 | Width over forks | b ₅ | mm | 570 *) |
| | 4.31 | Ground clearance, with load, below mast | m ₁ | mm | 22 |
| | 4.32 | Ground clearance, centre of wheelbase | m ₂ | mm | 22 |
| 4.33 | Aisle width for pallets 1000 x 1200 crossways | A _{st} | mm | 2448 | |
| 4.34 | Aisle width for pallets 800 x 1200 lengthways | A _{st} | mm | 2355 | |
| 4.35 | Turning radius | W _a | mm | 1633 | |
| Performance data | 5.1 | Travel speed, with/without load | | km/h | 6/6 |
| | 5.2 | Lift speed, with/without load | | m/s | 0.14/0.27 |
| | 5.3 | Lowering speed, with/without load | | m/s | 0.38/0.32 |
| | 5.8 | Max. gradeability, with/without load | | % | 8/12 ¹⁾ |
| | 5.10 | Service brake | | | Electromagnetic |
| Electric motor | 6.1 | Drive motor rating S2 60 min | | kW | 1.5 |
| | 6.2 | Lift motor rating at S3 15% | | kW | 2.2 ²⁾ |
| | 6.4 | Battery voltage/nominal capacity K ₅ | | V/Ah | 24/225 *) |
| | 6.5 | Battery weight | | kg | 219 *) |
| | 8.1 | Type of drive control | | | BT Powerdrive |

¹⁾ Measured according to company standard

²⁾ S3 6%

*) Further alternatives are available and will produce other values.

Data is based on standard configurations: h₂₃ = 2100 mm Duplex Tele Panoramic View mast.

All data are based on table configuration. Other configurations may give other values.

Truck performance and dimensions are nominal and subject to tolerances.

Toyota Material Handling Manufacturing Sweden AB products and specifications are subject to change without notice.

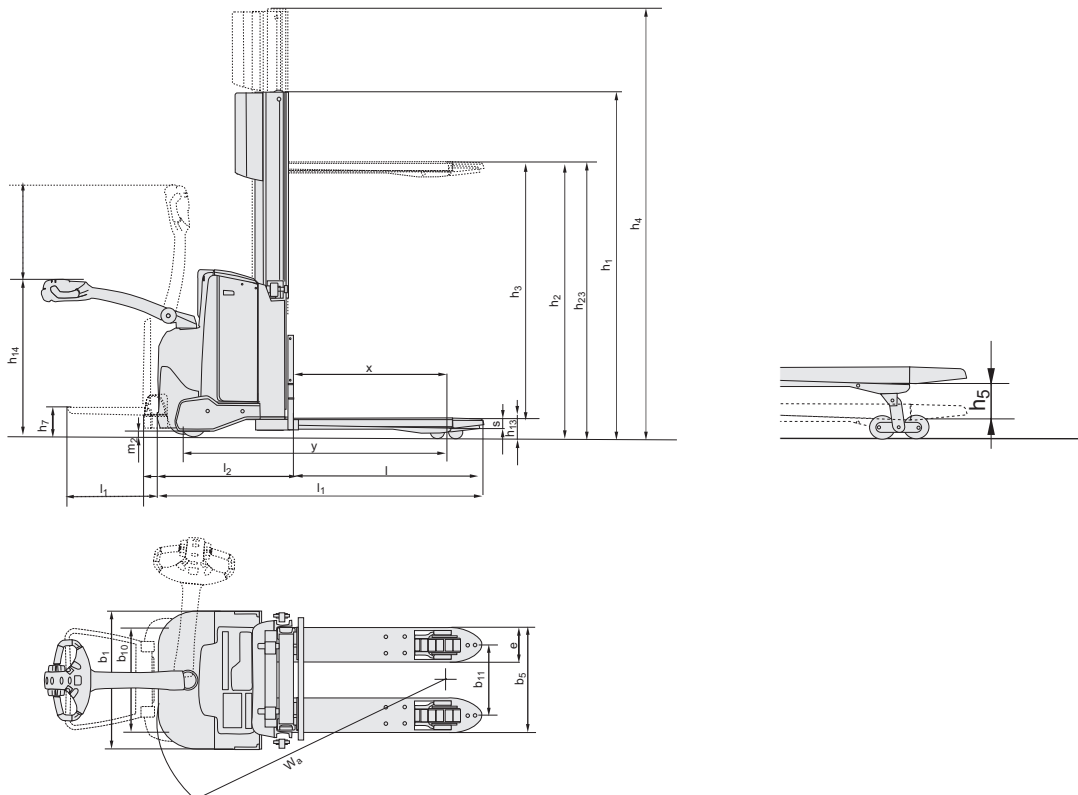
Battery dependent dimensions

BT staxio

| Dimensions | | Battery change | | SWE200D | | |
|------------|--|---------------------|------|-----------|-----------|-----------|
| | | | | Lift out | | Sideways |
| | | Battery compartment | | Medium | Large | Large |
| 1.9 | Wheelbase | y | mm | 1483 | 1533 | 1533 |
| 4.19 | Overall length | l ₁ | mm | 1910 | 1960 | 1960 |
| | without platform | | mm | 1995/2385 | 2045/2435 | 2045/2435 |
| 4.20 | Length to face of forks | l ₂ | mm | 760 | 810 | 810 |
| | without platform | | mm | 853/1243 | 853/1243 | 853/1243 |
| 4.33 | Aisle width for pallets 1000x1200 crossways | A _{st} | mm | 2448 | 2498 | 2498 |
| | without platform | | mm | 2533/2933 | 2583/2983 | 2586/2983 |
| 4.34 | Aisle width for pallets 800x1200 lengthways | A _{st} | mm | 2355 | 2405 | 2405 |
| | without platform | | mm | 2440/2840 | 2490/2890 | 2490/2890 |
| 4.35 | Turning radius | W _a | mm | 1633 | 1683 | 1683 |
| | without platform | | mm | 1718/2118 | 1768/2168 | 1768/2168 |
| 6.4 | Battery voltage, nominal capacity K _s | | V/Ah | 24/225 | 24/300 | 24/260 |
| 6.5 | Battery weight, min.—max. | | kg | 189—250 | 230—280 | 209—250 |

Mast dimensions

| SWE200D | | | Duplex Tele | | | Dupl. Tele Panor. View | | |
|-----------------|--|----|-------------|------|------|------------------------|------|------|
| h ₂₃ | Lift height (h ₁₃ +h ₃) | mm | 1700 | 1900 | 2100 | 1700 | 1900 | 2100 |
| h ₃ | Lift | mm | 1610 | 1810 | 2010 | 1610 | 1810 | 2010 |
| h ₁ | Height, mast lowered | mm | 1340 | 1440 | 1540 | 1335 | 1435 | 1535 |
| h ₂ | Free lift, ground to top of forks | mm | 166 | 166 | 166 | 166 | 166 | 166 |
| h ₄ | Height, mast extended | mm | 2125 | 2325 | 2525 | 2120 | 2320 | 2520 |





Truck features:

- BT Powerdrive System
- Fingertip controls
- Electronic braking system
- Electronic speed control
- Operator safety
- Storage compartments
- Automatic switch-off
- Click-2-creep
- Programmable performance
- Easy access for maintenance
- Built in charger (option)
- Sensilift (option)
- Flip-up operator platform (option)
- Toyota I_site: truck fleet management system (option)
- Hydraulic oil for low temperatures (option)



TP-Technical Publications, Sweden — 746898-040, version 5, 1304

TOYOTA

MATERIAL HANDLING

TOYOTA MATERIAL HANDLING IN EUROPE, MANAGING THE TOYOTA AND BT MATERIALS HANDLING BRANDS IN EUROPE.

