

# Hand pallet truck 2.0 ton

## BT lifter

*L-series*

LHM200SC



# Hand pallet truck

Truck specifications					LHM200SC
Identification	1.1	Manufacturer			Toyota
	1.2	Manufacturer's type designation			LHM200SC
	1.4	Operator type			Hand
	1.5	Load capacity/rated load	Q(t)	kg	2000
	1.6	Load centre distance	c	mm	600
	1.8	Load distance, centre of drive axle to fork	x	mm	945 <sup>1)</sup>
	1.9	Wheelbase	y	mm	1170 <sup>1)</sup>
Weight	2.1	Service weight		kg	103
	2.2	Axle load, with load, drive/castor/fork wheel		kg	375/805
	2.3	Axle load, without load, drive/castor/fork wheel		kg	20/10
Wheels	3.1	Steer/fork wheels: Powerthane (Po), Steel (S), Nylon (N), Polyurethane (P), Rubber (R), Rubber antistatic (Ra)			N, P, S, Po, R, Ra/N, P, Po
	3.2	Wheel size, front			175x60
	3.3	Wheel size, rear			85x100/85x75 <sup>2)</sup>
	3.5	Wheels, number front/rear (x = driven wheels)			2/2 or 2/4 <sup>2)</sup>
	3.6	Track width, front	b <sub>10</sub>	mm	132
	3.7	Track width, rear	b <sub>11</sub>	mm	370/530
Dimensions	4.4	Lift	h <sub>3</sub>	mm	115
		Lift height	h <sub>23</sub>	mm	205
	4.9	Height of tiller in drive position, min./max.	h <sub>14</sub>	mm	1220
	4.15	Height, lowered	h <sub>13</sub>	mm	90
	4.19	Overall length	l <sub>1</sub>	mm	1520
	4.20	Length to face of forks	l <sub>2</sub>	mm	370
	4.21	Overall width	b <sub>1</sub> /b <sub>2</sub>	mm	540/700 <sup>3)</sup>
	4.22	Fork dimensions	s/e/l	mm	65/170/1150 <sup>4)</sup>
	4.25	Width over forks	b <sub>5</sub>	mm	540/700 <sup>3)</sup>
	4.32	Ground clearance, centre of wheelbase	m <sub>2</sub>	mm	25
	4.33	Aisle width for pallets 1000x1200 crossways	A <sub>st</sub>	mm	1525 <sup>1)</sup>
	4.34	Aisle width for pallets 800x1200 lengthways	A <sub>st</sub>	mm	1725 <sup>1)</sup>
	4.35	Turning radius	W <sub>a</sub>	mm	1370 <sup>1)</sup>

1) Distance with forks raised.

2) Single wheel/Boggie wheel.

3) Other widths available on request.

4) Other fork length available: 800/910/1000/1070/1220

Scale data	Graduation multi-range			
	0 - 200		kg	0,2
	200 - 500		kg	0,5
	500 - 2000		kg	1,0
	Maximum inaccuracy, applied weight		kg	0,1
	Battery	12 Vdc/1,2 Ah		
Charger	230 V/12 Vdc			

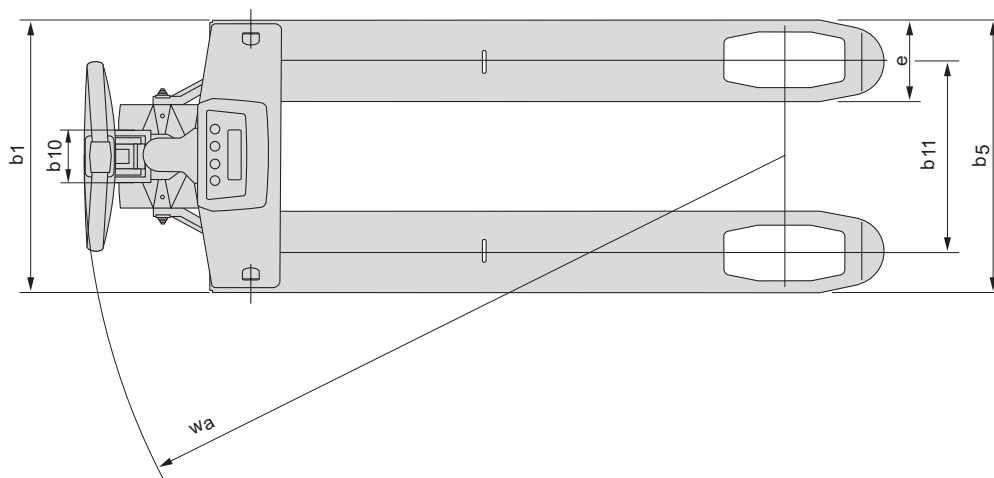
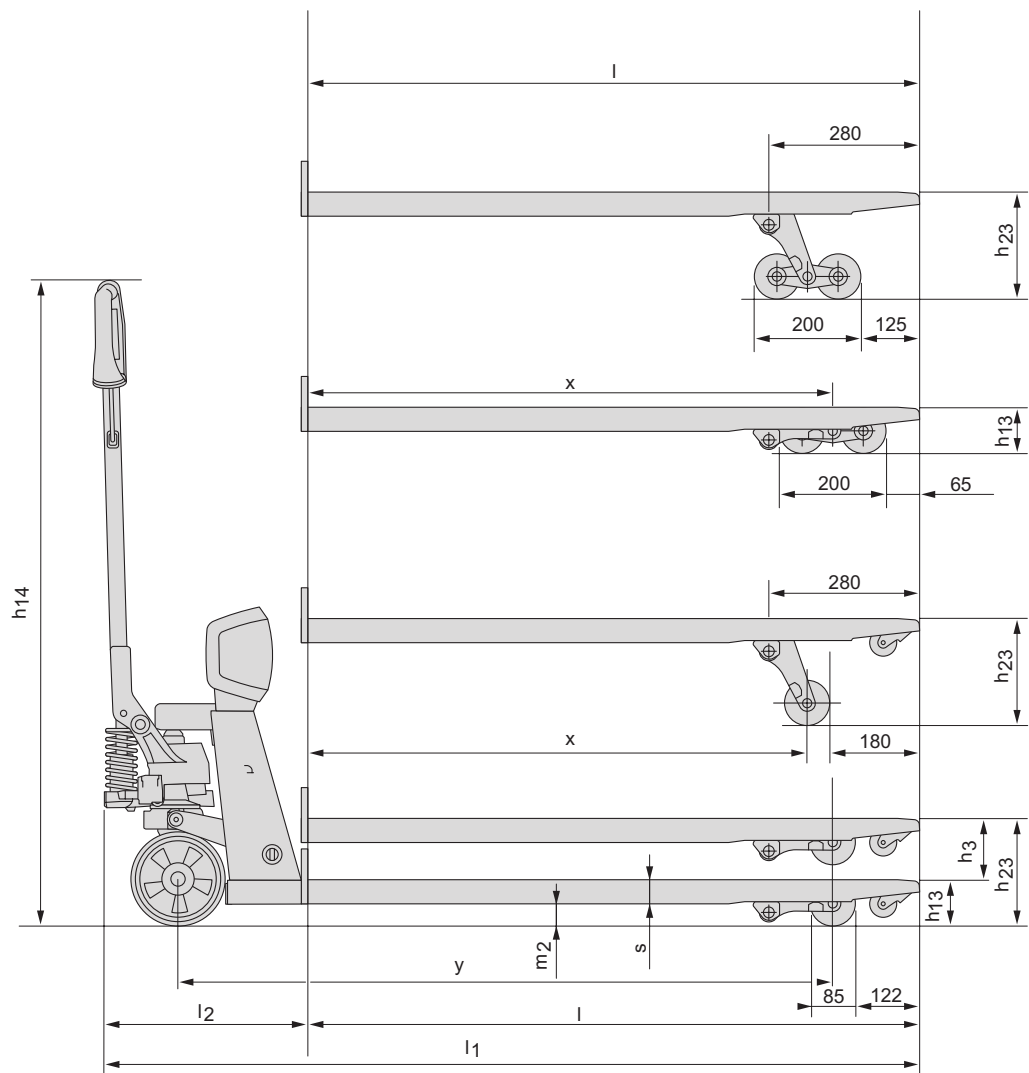
All data are based on table configuration. Other configurations may give other values.

Truck performance and dimensions are nominal and subject to tolerances.

Toyota Material Handling Manufacturing Sweden AB products and specifications are subject to change without notice.



# Dimensional drawings





---

## Truck features:

- The BT Lifter with scale – a mobile high precision weighing truck.
- The BT Lifter with scale is developed for industrial applications and is protected against water, dust and shocks.
- The exchangeable battery module provides for 35 hours of use, plus makes it possible to use the hand pallet truck without weighing when charging the battery.
- Legal for trade version available on request.
- Built in printer for printing weight data on site is available on request.
- Greasable bushings ensure a long service life.
- Angled high strength polymer handle for best ergonomic grip.
- This product has been environmentally declared.



TP-Technical Publications, Sweden — 745347-040, version 2, 1202

**TOYOTA**

MATERIAL HANDLING

TOYOTA MATERIAL HANDLING IN EUROPE, MANAGING THE TOYOTA AND BT MATERIALS HANDLING BRANDS IN EUROPE

